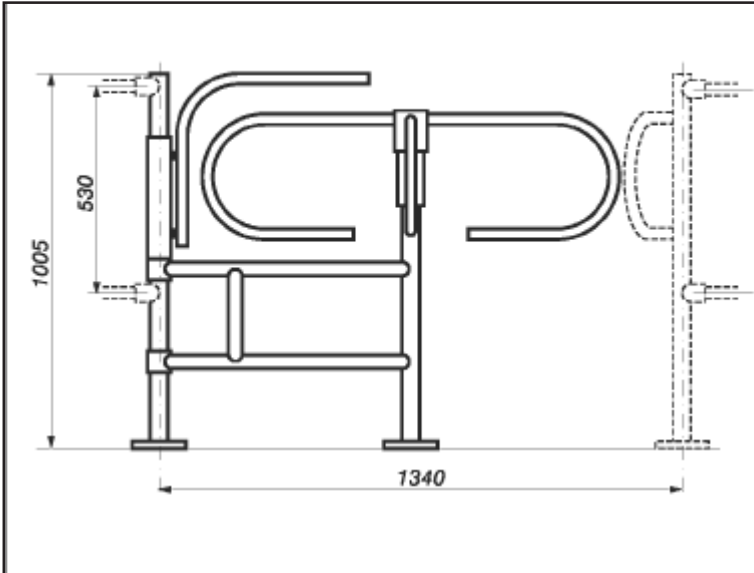


# LEFT-SIDED ROTATING GATE WITH ANTI-PANIC SYSTEM – SW 010.010



Left-sided rotating gate constitutes a very important element of the whole system for directing the customer in commercial organizations, etc. It allows for organized traffic of people in a given direction and eliminates collision. Rotating gate is equipped with “anti-panic” system, which opens the entrance completely under the pressure of people evacuating hazardous places. The basic element of a rotating gate is the unit with a revolving head, which is equipped with four arms. The unit is connected with the anti-panic post through the arms. All elements of the equipment are made of steel and coated with nickel and chromium. Rotating gate can only be used in closed places with firm floors and should be mounted to the floor by three Ø8x120 screws and pegs Ø12x100. Weight – 24 kg.

SW 010.010		SW 010.030 *
SW 010.011		SW 010.031 *
SW 010.012		SW 010.032
SW 010.013		SW 010.033 *
SW 010.014		SW 010.034
SW 010.015		SW 010.035
SW 010.016		SW 010.036 *
SW 010.017		SW 010.037

Note: \* marks the post of 1205 of height

### Operating principles of the anti-panic system

Barrier post  
Weight 7 kg

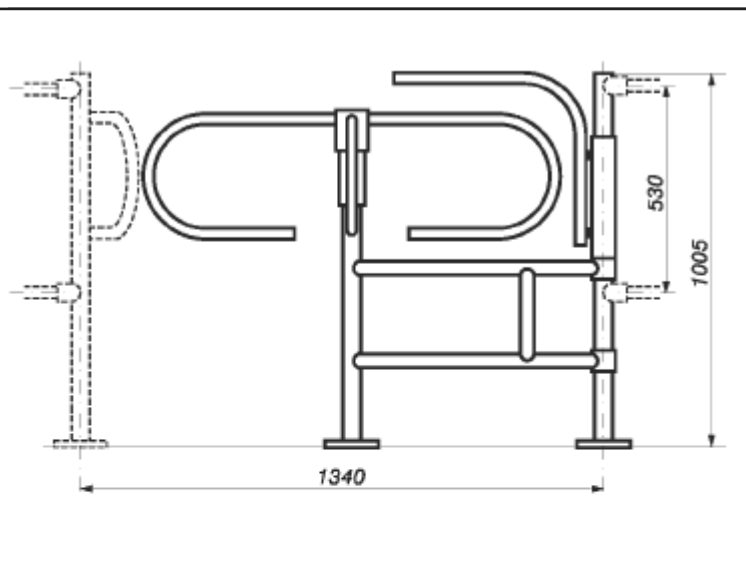
Barrier post  
Weight 8 kg

Blocker  
SW 010.040



[www.metal-poz.pl](http://www.metal-poz.pl)

# RIGHT-SIDED ROTATING GATES WITH ANTI-PANIC SYSTEM – SW 010.020



Right-sided rotating gate constitutes a very important element of the whole system for directing the customer in commercial organizations, etc. It allows for organized traffic of people in a given direction and eliminates collision. Rotating gate is equipped with "anti-panic" system, which opens the entrance completely under the pressure of people evacuating hazardous places. The basic element of a rotating gate is the unit with a revolving head, which is equipped with four arms. The unit is connected with the anti-panic post through the arms. All elements of the equipment are made of steel and coated with nickel and chromium. Rotating gate can only be used in closed places with firm floors and should be mounted to the floor by three  $\varnothing 8 \times 120$  screws and pegs  $\varnothing 12 \times 100$ . Weight – 24 kg.

- |              |  |            |
|--------------|--|------------|
| SW 010.030 * |  | SW 010.020 |
| SW 010.033 * |  | SW 010.021 |
| SW 010.032   |  | SW 010.022 |
| SW 010.031 * |  | SW 010.023 |
| SW 010.035   |  | SW 010.024 |
| SW 010.034   |  | SW 010.025 |
| SW 010.036 * |  | SW 010.026 |
| SW 010.037   |  | SW 010.027 |

Note: \* marks the post of 1205 of height

### Operating principles of the anti-panic system

