

ENTRANCE GATES WITH ELECTROMAGNETIC FASTENER

SW 027.10 – left-side
SW 027.20 – right-side

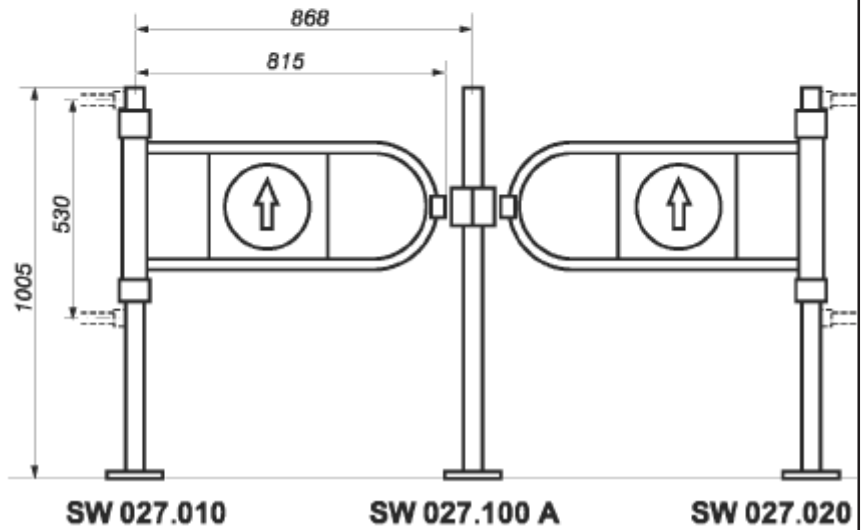
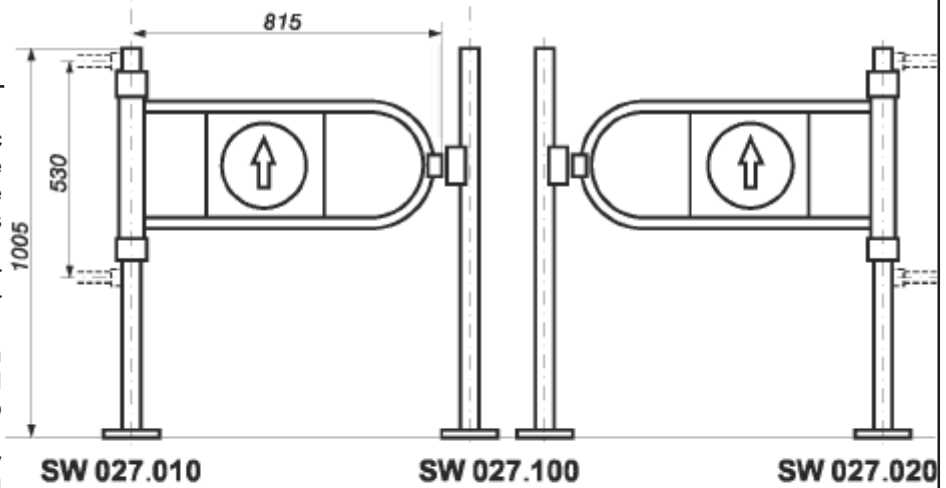
Entrance gates with electromagnetic fasteners are used for controlling the entrance and exit of people. It can be used with access control systems opens in one direction only.

The gate can be opened after receiving an electrical signal, after which it closes automatically.

Powered by safety transformer with 6V secondary voltage and 2x0.5mm² power cable connected to the post with the fastener.

For longer distances (~20 mb) verify that voltage at the fastener is 6V and does not exceed 12V.

The gate is made of steel and coated with nickel chromium. Only to be used in closed areas. The gate is to be mounted to firm floors with three Ø8x120 screws and Ø12x100 pegs. The post with the fastener is also mounted in a similar way. Weight of the gate – 11.5 kg. Weight of the post – 5 kg.



Left-side gate

SW 027.010



SW 027.011



SW 027.012



SW 027.013



SW 027.014



SW 027.015



W 027.016



SW 027.017



Right-side gate

SW 027.020



SW 027.021



SW 027.022



SW 027.023



SW 027.024



SW 027.025



SW 027.026



SW 027.027



Post with single fastener

○ SW 027.100

◻ SW 027.101

◻ SW 027.102

◻ SW 027.103

◻ SW 027.104

◻ SW 027.105

◻ SW 027.106

◻ SW 027.107

Post with two fasteners

◻ SW 027.100 A

◻ SW 027.102 A

◻ SW 027.104 A